

On-Site Chlorine Generators

NEX-GEN[®] PH 20

Radical Waters NEX-GEN_{pH} on-site chlorine generators are leading the way to better, safer water. Their unique, forward-thinking design generates liquid chlorine from salt that is stored on site and uses the pool as the source water for the product. NEX-GEN_{pH} eliminates the need for storing large amounts of chlorine and doesn't generate the odors associated with traditional chlorine. Any of the NEX-GEN_{pH} systems can be fully customized to meet your needs and are easy to install, maintain and operate.

The NEX-GEN_{pH} 20

Radical Waters NEX-GEN_{pH} 20 is a stand-alone, on-site chlorine generator capable of producing 9 Kg of pH neutral equivalent chlorine per 24 hours. The unique design uses swimming pool water to feed the generator and distribute chlorine to the pool as needed. Up to 6 bodies of water can be sanitized with one NEX-GEN_{pH} system using our venturi feed systems and can be used in conjunction with any ORP/pH controller. This product requires no salt in the swimming pool and will not raise TDS levels as with other chlorine generators. Hydrogen, the by-product is safely vented to atmosphere through a 2" PVC pipe on top of the production tank.

SPECIFICATIONS

- **Touch-screen display**
 - Size 5" x 4" color display
 - Resistive touch membrane overlay
- **Built in safety sensors**
 - Air, water, pressure, & level sensors
 - Power supply
 - 100 amp 24v DC water-cooled
- **Electrical specifications**
 - Max primary amps – (24)
 - Voltage / Hz – (208-240v 60Hz single phase)
 - Breaker required – (40 amp)
- **Operating temperature**
 - 2°C (35°F) to 46°C (115°F) air temperature
 - 4°C (40°F) to 40°C (104°F) water temperature
- **Electrode stacks**
 - 1-9 Kg, 15,000 hr forward polarity in clear housing
- **Skid dimensions & weight**
 - 48"L x 28"W x 68"H (430.91 kg / 950 lbs)
 - 48"L x 22"W x 40"H (salt feeder)
- **Plumbing requirements**
 - 1.5" inlet and outlet requiring 80 gpm
 - 2" outlet for hydrogen removal to atmosphere

MAIN FEATURES

- On-site chlorine generator capable of producing 9 Kg (equivalent to 75 litres of 12% bleach) per 24 hrs.
- Process uses swimming pool water to produce sodium hypochlorite (no fresh water added)
- No salt is required in the pool
- pH neutral chlorine produced
- Programmable touch-screen with auto correct features
- Skid mounted on wheels for easy installation
- Water-cooled power supply

APPLICATIONS

- Commercial swimming pools
- Water-parks
- Wave and surf riders
- Large hotel pools

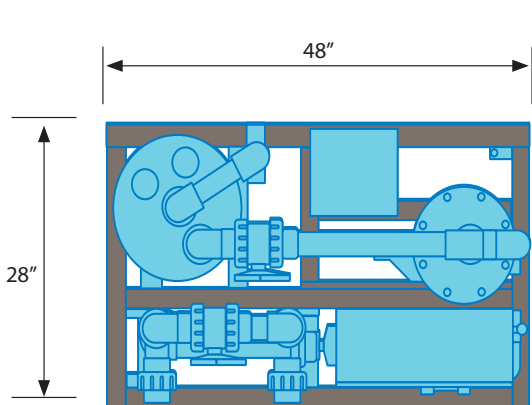


Powered by ChlorKing

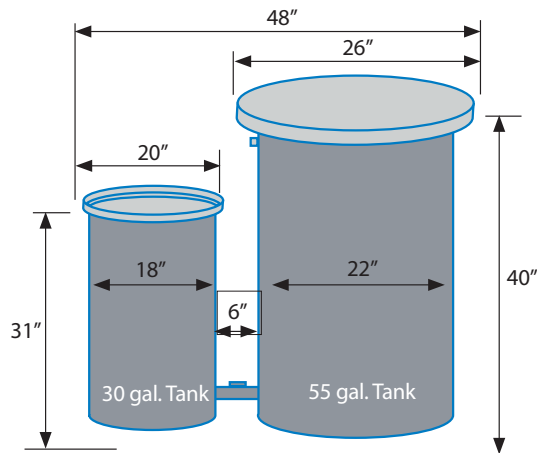


On-Site Chlorine Generators

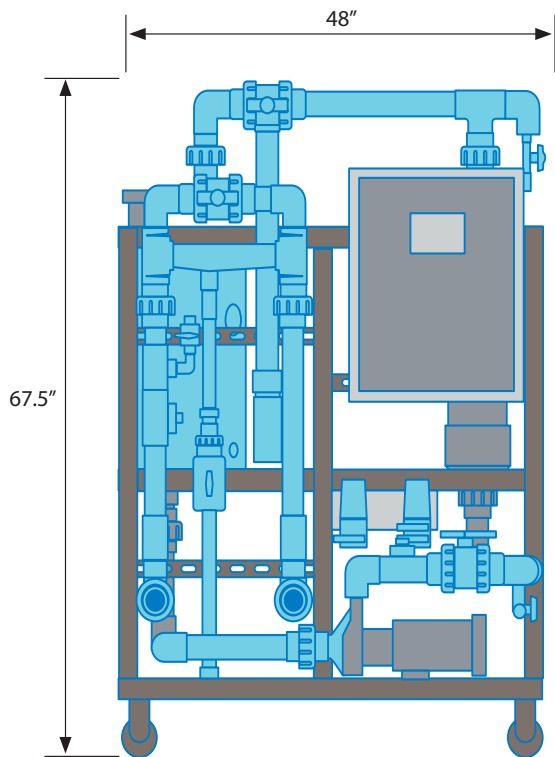
NEX-GEN[®] PH 20



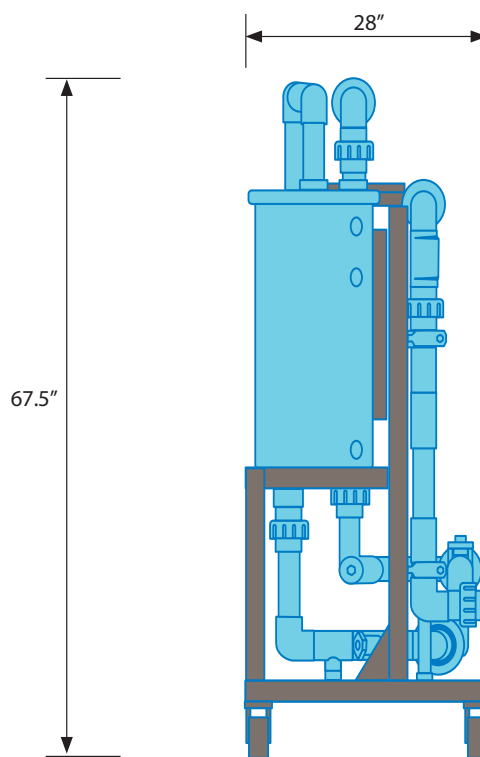
TOP VIEW



VIEW OF TANKS



FRONT VIEW



SIDE VIEW



DeKalb County
The Greenest County in America

ADVENTURELAND



Real Estate Texas
CITY OF LONGVIEW



RADICAL WATERS - SOUTH AFRICA

1,17 Indianapolis Street,
Kyalami Business Park
Johannesburg, South Africa, 1684
Tel : +27 11 466 0610
Fax : +27 11 466 0114
www.radicalwaters.com